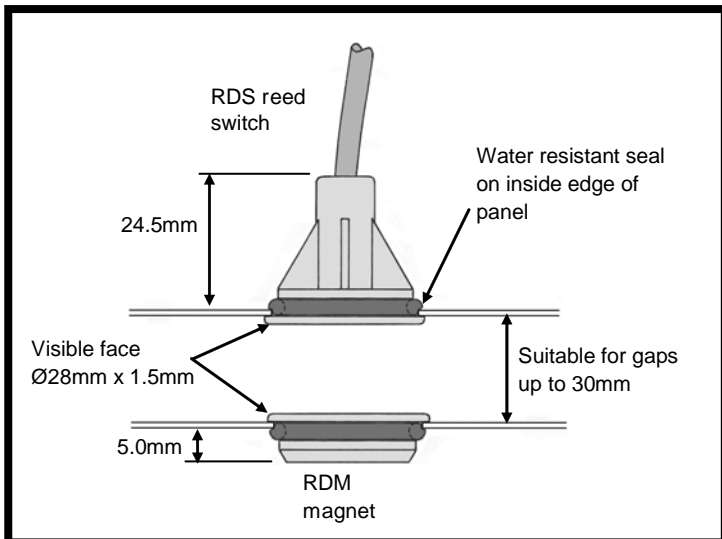


## PANEL MOUNTING REED SWITCHES AND MAGNETS

### RDS reed switch and RDM magnet for Ø25.4mm cut-out



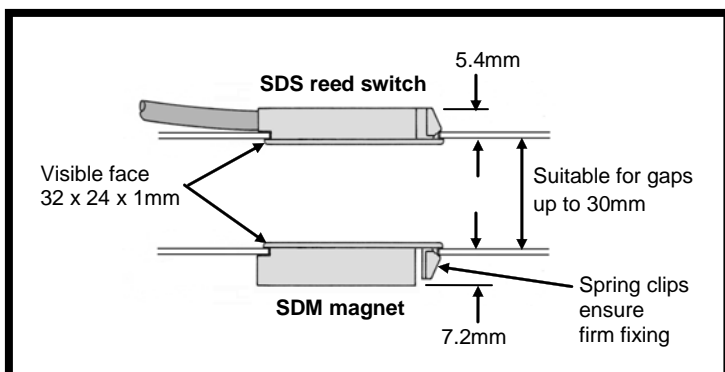
RDS reed switch with Ø3.5mm cable



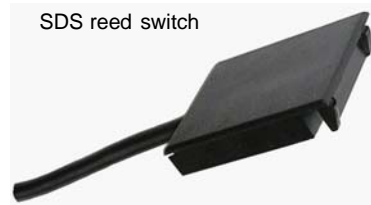
Made in the UK

- Snaps into Ø25.4mm hole through panel (panel thickness 0.6 to 1.0mm)
- Suitable for ferrous and non-ferrous materials
- Various sensitivities and magnet types available
- Clean lines and water resistant seal make it ideal for the food industry
- Choice of cable types and length
- Black ABS housing
- Standard maximum electrical specifications 120V, 500mA, 10W/VA
- Please contact us to determine a suitable specification for your application

### SDS reed switch and SDM magnet for 22 x 30mm cut-out



SDS reed switch



- Snaps into standard 22 x 30mm rectangular cut-out
- Suitable for panel thicknesses 0.6 to 1.0mm (ferrous or non-ferrous)
- Very low profile
- Various sensitivities and magnet types available
- Standard maximum electrical specifications 120V, 500mA, 10W/VA
- Ø3.5mm black PVC sheathed cable (2 cores of 7/0.2mm), length as required
- Black ABS housing
- Please contact us to determine a suitable specification for your application