

Window frame sensor and sash magnets

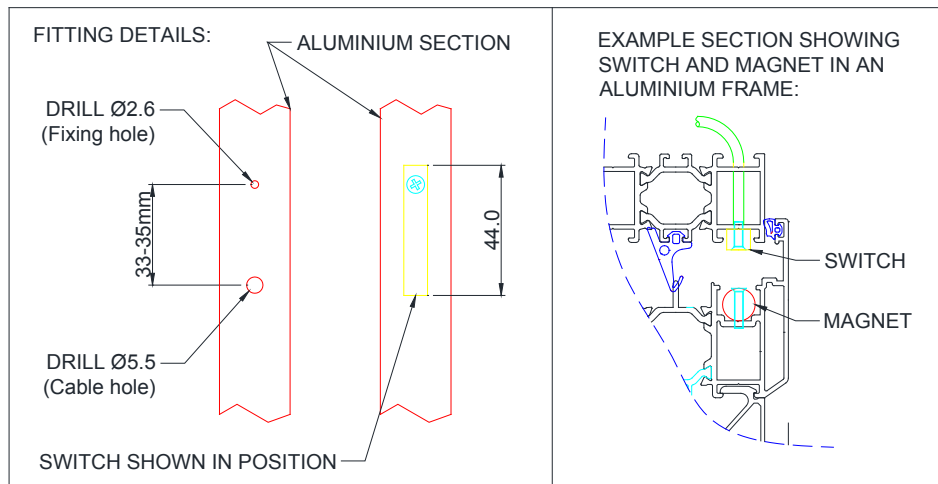
- Window frame sensor for security alarms, air conditioning monitoring systems etc.
- Reed switch sensor suitable for all aluminium, PVC and timber window frames.
- Simple and quick to fit, fits all manufacturer's profiles, and is available with long cable lengths.
- Any cable length available.



Made in the UK

Fitting:

- Drill 2 holes as shown below.
- Thread the reed switch through the $\text{\O}5.5$ hole from the outside of the frame.
- Slide the outer housing over the reed switch, hold in position and screw in the M3 screw.
- Ensure the switch is straight before final tightening.



Switch specifications:

Switch housing dimensions: 44mm x 8mm x 7mm
 Cable: 2 (or 4) cores 7x0.2mm. Black PVC outer sheath $\text{\O}3.5$ mm
 Contacts: Rhodium for very low resistance
 Voltage: 120V max.
 Current: 500mA max.
 Power: 10W/VA max.

Magnets

There are several magnet types to suit various sash styles. Please contact us for details.